



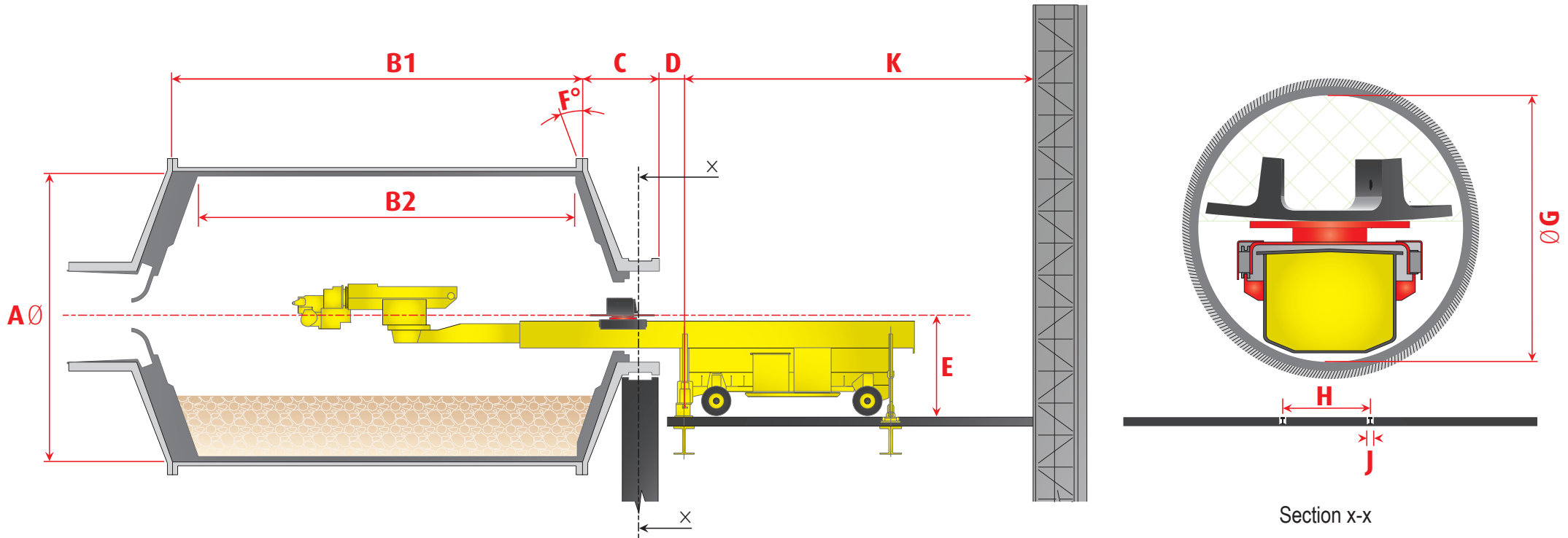
Specification Sheet: Mill Relining Machine

PROJECT DETAILS

Project Location Client / Owner

PREPARED BY Name Company

MILL REFERENCE MILL TYPE NUMBER OF MILLS



MEASUREMENTS

A ft / m
 ∅ Mill – Inside shell

B1 ft / m
 Flange to flange

B2 ft / m
 Effective grinding length

C ft / m
 Distance from flange to trunnion face

D ft / m
 Closest load carrying point

E ft / m
 Floor to mill ζ

F° deg
 ° Feed end angle

G in / m
 ∅ Inside liners / seals

H in / m
 Feed chute rail centreline distance

J in / m
 Feed chute rail recess width

K ft / m
 Clear space

L in / m
 Dimensions of largest liner (L x W x D)

M lbs / kg
 Weight of largest liner

ELECTRICAL POWER SUPPLY

1 volts
 3 Phase Potential (volts)

2 hertz
 3 Phase Frequency (hertz)

3 metres above sea level
 Altitude (metres above sea level)